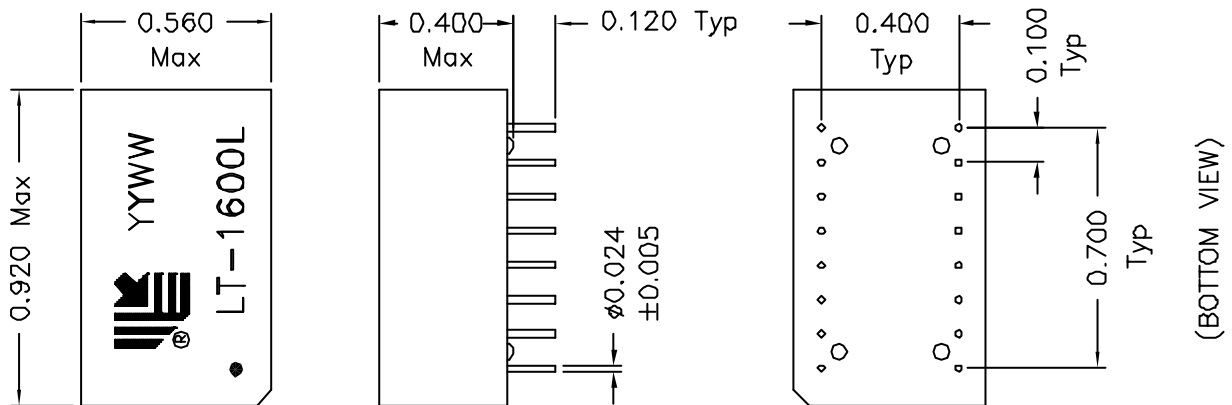


# ISDN S-Interface Transformers

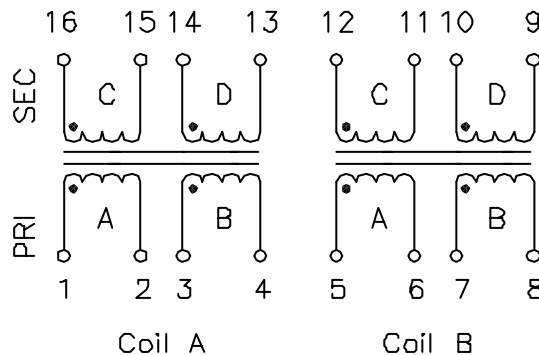
## Electrical Specifications @25

- (COIL A) Turns Ratio: A:B:C:D=1:1:1:1 ±2% (PRI:SEC)
  - (COIL B) Turns Ratio: A:B:C:D=1:1:2:2 ±2% (PRI:SEC)
  - PRI DCL: 22mH Minimum (PIN1-4, PIN5-8) @10KHz 100mV
  - (COIL A) SEC LL: 5uH Maximum @PRI Shorted @100KHz 100mV
  - (COIL B) SEC LL: 15uH Maximum @PRI Shorted @100KHz 100mV
  - Cw/w: 100pF Maximum (PRI/SEC) @10KHz 100mV
  - (COIL A) PRI Cd: 42pF Maximum
  - (COIL B) PRI Cd: 80pF Maximum
  - PRI D.C. Resistance: 2.4±25% ohms
  - (COIL A) SEC D.C. Resistance: 2.4±25% ohms
  - (COIL B) SEC D.C. Resistance: 4.3±25% ohms
  - Isolation: 2000Vrms (PRI to SEC)
  - ΔIdc: 1mA Maximum
- Note: Coil A: PRI PIN1-4 SEC PIN16-13  
Coil B: PRI PIN5-8 SEC PIN12-9

## Mechanicals:



## Schematics:



Specification subject to change without notice

P/N: LT-1600L	DIMENSIONS IN inch	Unless otherwise specified Dim. Tolerances are: .xxx ±0.010	REV: A1	DRWN:	DATE: 03-08-25
	SCALE: NONE		PAGE: 1/1	APPD:	DATE: